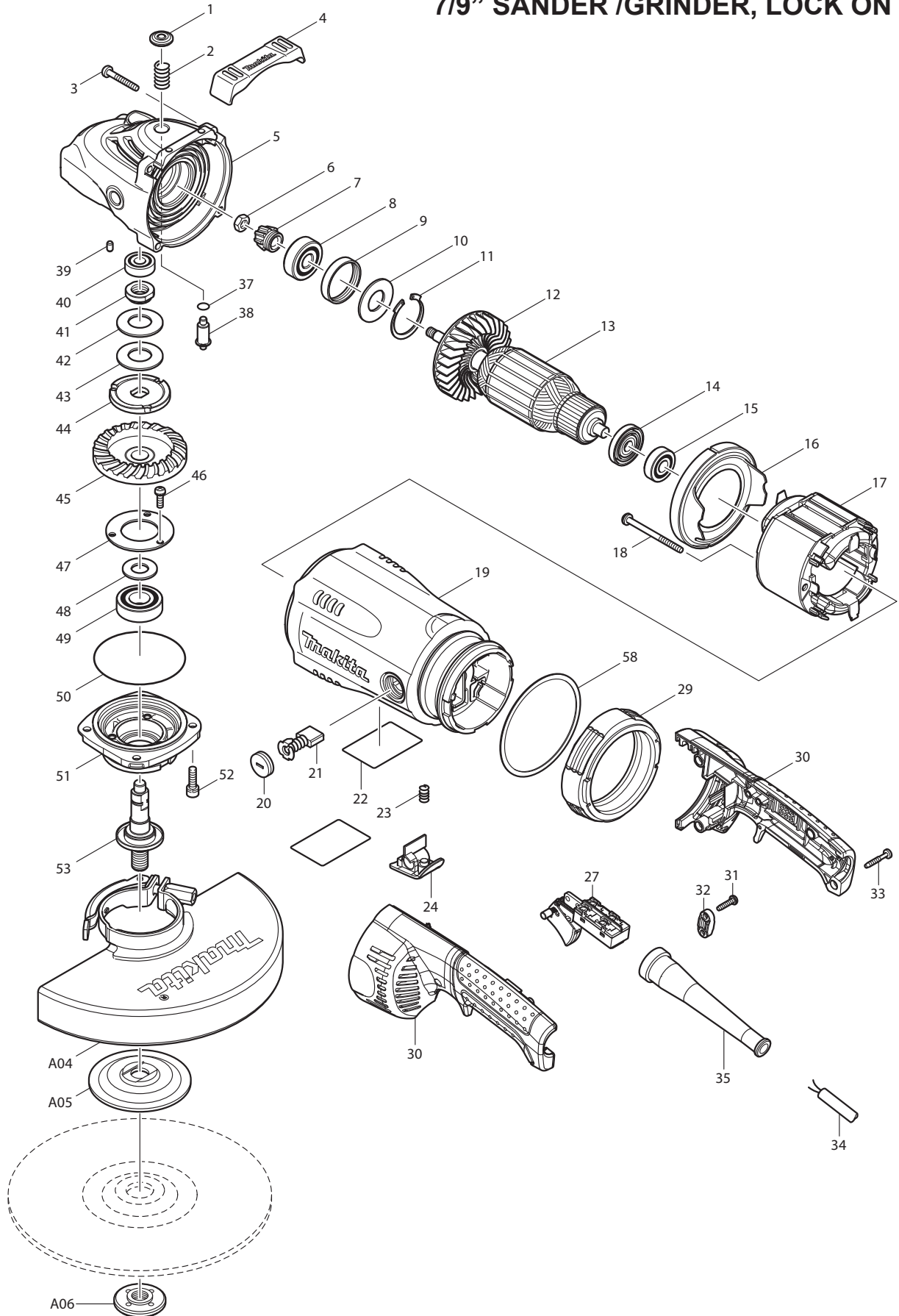




08 - 2010

GA9031 (With Wheel Cover)  
SA9031 (W/O Wheel Cover)  
7/9" SANDER /GRINDER, LOCK ON



## PARTS LIST

Item No	Type	Part No	Description	Qty	Unit
001		419133-4	PIN CAP	1	PC.
002		233292-8	COMPRESSION SPRING 12	1	PC.
003	1	266373-3	TAPPING SCREW 5X35	4	PC.
003	2	265B72-6	TAPPING SCREW 5X35	4	PC.
004		419144-9	BUMPER	1	PC.
005	2	142754-4	GEAR HOUSING COMPLETE	1	PC.
005	2	INC. 262118-7	FELT RING 18	1	PC.
006		252194-9	HEX. NUT M8	1	PC.
007		227490-4	SPIRAL BEVEL GEAR 12	1	PC.
008		211132-0	BALL BEARING 6301DDW	1	PC.
009		262085-6	RUBBER RING 38	1	PC.
010		267299-2	FLAT WASHER 20	1	PC.
011		962211-4	RETAINING RING R-42	1	PC.
012		240081-4	FAN 80	1	PC.
013		517826-8	ARMATURE ASS'Y 115V	1	PC.
013	INC.	*****	Item No. 12,14,15	1	PC.
014		681630-2	INSULATION WASHER	1	PC.
015		211087-9	BALL BEARING 6200DDW	1	PC.
016		419135-0	BAFFLE PLATE	1	PC.
017		526206-7	FIELD ASS'Y 115V	1	PC.
017	INC.	654197-3	RING TERMINAL (Garter Spring)	2	PC.
017	INC.	654553-7	CONNECTOR 34137	2	PC.
018	2	266352-1	TAPPING SCREW 5X65	2	PC.
019		158083-5	MOTOR HOUSING COMPLETE	1	PC.
019	INC.	643712-8	BRUSH HOLDER	2	PC.
020		643700-5	BRUSH HOLDER CAP 7-18	2	PC.
021		194992-4	CARBON BRUSH CB-204, 2 PCS/SET	1	SET
022		867257-4	GA9031 NAME PLATE	1	PC.
023		233375-4	COMPRESSION SPRING 7	1	PC.
024		419260-7	LOCK BUTTON	1	PC.
027		650104-4	SWITCH 1269. 0201	1	PC.
029		421936-4	VIBRATION PROOF RUBBER	1	PC.
030		188754-0	HANDLE SET	1	SET
030	INC.	421565-3	SPONGE SHEET	2	PC.
030	INC.	423350-0	SPONGE SHEET	1	PC.
031	2	265A48-7	TAPPING SCREW 4X18	2	PC.
032		687052-4	STRAIN RELIEF	1	PC.
033	2	265B73-4	TAPPING SCREW 4X25	4	PC.

Item No	Type	Part No	Description	Qty	Unit
034		664463-0	CORD W/PLUG 2P-14-2.5M, SJ	1	PC.
035		682560-0	CORD GUARD 10	1	PC.
037		213062-1	O RING 9	1	PC.
038		256491-5	SHOULDER PIN 5	1	PC.
039		263002-9	RUBBER PIN 4	1	PC.
040		211062-5	BALL BEARING 6000ZZ	1	PC.
041		252429-8	NUT M15-23	1	PC.
042		232163-6	CUP SPRING 20	1	PC.
043		232163-6	CUP SPRING 20	1	PC.
044		267798-4	LOCK WASHER	1	PC.
045		227492-0	SPIRAL BEVEL GEAR 53C	1	PC.
046		265120-9	PAN HEAD SCREW M5X16	3	PC.
047		285724-1	BEARING RETAINER 50	1	PC.
048		267167-9	FLAT WASHER 15	1	PC.
049		211278-2	BALL BEARING 6203DDW	1	PC.
050		213760-7	O RING 78	1	PC.
051	1	317988-0	* BEARING BOX	1	PC.
051	2	318377-2	* BEARING BOX	1	PC.
052		265541-5	HEX. SOCKET HEAD BOLT M6X22	4	PC.
053		154787-7	SPINDLE A COMPLETE	1	PC.
053	INC.	345629-8	LABYRINTH RING 25	1	PC.
058		261131-2	NYLON WASHER 89	1	PC.
059		819357-6	CLEAR LABEL	1	PC.
100		652039-5	+ BINDING HEAD SCREW M3.5X6.8	4	PC.
101		654117-7	INSULATING TERMINAL	2	PC.
102		654200-0	NON-INSULATED TERMINAL	2	PC.
109	INC.	810341-4	CAUTION LABEL	1	PC.
200		870461-6	CARTON	1	PC.
A01		152539-0	GRIP 36 COMPLETE	1	PC.
A01	3	194543-3	VIBRATION PROOF GRIP F/7-9", PKG	1	PC.
A02		194289-1	DUST COVER ATTACHMENT SET	1	PC.
A03		782412-6	LOCK NUT WRENCH 28	1	PC.
A04	1	122768-9	* 9" TOOL LESS WHEELCOVER ASSY (D.C.W)	1	PC.
A04	2	123543-6	* 9" TOOL LESS WHEELCOVER ASSY (D.C.W)	1	PC.
A05		224317-9	INNER FLANGE 89	1	PC.
A06		224568-4	LOCK NUT 5/8-45	1	PC.
A07		193048-0	SANDING LOCK NUT 5/8-48, PACKAGED	1	PC.
A10		194684-5	GRIP ATTACHMENT SET	1	PC.
A11		----	9" D.C.W.(SEE CATALOGUE)	1	PC.

Item No	Type	Part No	Description	Qty	Unit
A11		-----	DEPRESSED CENTER GRINDING WHEELS		
A12		743012-7	RUBBER PAD F/7" (5/8")	1	PC.
A13		-----	7" ABRASIVE DISC(SEE CATALOGUE)	1	PC.
A15	1	194044-1	* DUST COLLECTION WHEEL COVER F/ 9"	1	PC.
A15	2	198509-5	* DUST COLLECTION WHEEL COVER F/ 9"	1	PC.
A15	2	INC. 126601-7	INNER FLANGE 47 ASSY F/ AC 9" GRINDERS	1	PC.
A15	2	INC. 198676-6	INNER FLANGE 45 F/ DC 9" GRINDERS	1	PC.
B01		194306-7	LOCK NUT RELEASE SOCKET 28 SET	1	PC.

**SERVICE CHANGES**

**1. Changes on Bearing Box and Toolless Wheelcover**

(TI#B2792)

Item No.	Description	Type 1	Type 2
51	Bearing Box	317988-0	318377-2
A04	Toolless Wheel Cover Assy	122768-9	123543-6
A15 Opt.	Dust Collection Wheel Cover	194044-1	198509-5

Above parts are completely interchangeable as a set.

**Type 1**

**Type 2**

